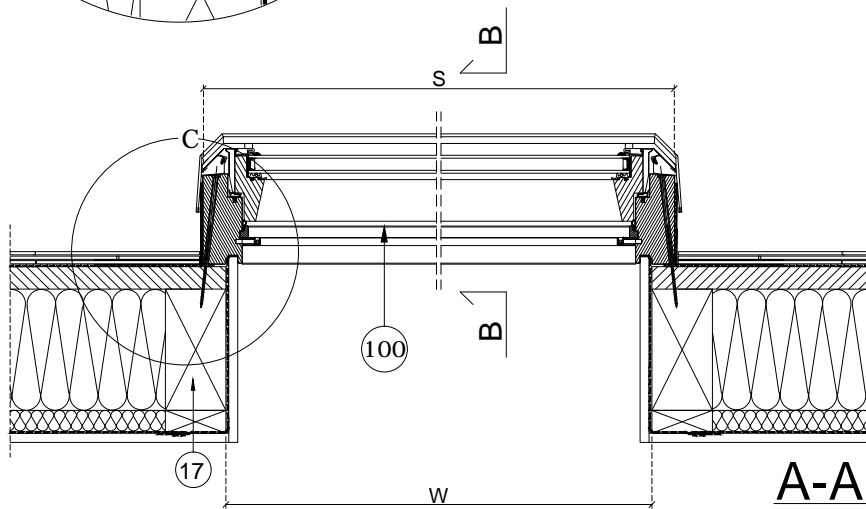


**B-B**

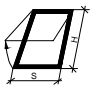



- 4-ice and water shield.
- 17-rafter
- 22-thermal insulation
- 100-FVE electrically operated, opening Skylight FAKRO
- 147-top part of the flashing EL FAKRO
- 148-EL FAKRO flashing side element
- 149-EL FAKRO flashing lower element



**ELECTRIC OPENING SKYLIGHT FVE**

Window size[in] SxL	S [in]	S [mm]	L [in]	L [mm]	Rough opening			
					W [in]	W [mm]	R [in]	R [mm]
24x27	24 1/2	623	27 1/2	699	22 1/2	568	26 1/2	678
24x38	24 1/2	623	38 1/2	978	22 1/2	568	37 1/2	957
24x46	24 1/2	623	46 3/8	1178	22 1/2	568	45 1/2	1157
24x55	24 1/2	623	55	1397	22 1/2	568	54	1376
24x70	24 1/2	623	70 3/4	1797	22 1/2	568	70	1776
32x31	32 1/2	826	31	788	30 1/2	771	30	767
32x38	32 1/2	826	38 1/2	978	30 1/2	771	37 1/2	957
32x46	32 1/2	826	46 3/8	1178	30 1/2	771	45 1/2	1157
32x55	32 1/2	826	55	1397	30 1/2	771	54	1376
47x46	47 3/8	1204	46 3/8	1178	45	1149	45 1/2	1157
48x27	48 1/2	1232	27 1/2	699	46 1/2	1177	26 1/2	678
48x46	48 1/2	1232	46 1/2	1178	46 1/2	1177	45 1/2	1157



FVE Skylight 	EL 	SLATE 	15° - 85° 
---	---	--	--

Vertical and horizontal cross-sections:  
FVE opening Skylight with flashing EL  
for flat tiled roofs

FORMAT A4	SCALE 1:10/1:5	DATE 07.2017
--------------	-------------------	-----------------

Warning! The present drawing is for informational-demonstrative purposes only and as such cannot constitute a basis for performance. All dimensions presented in this drawing should be verified on site. Because of the fact that the drawing is a schematic one, FAKRO shall not assume any responsibility for the actual installation quality on the roof. This drawing is FAKRO's property and cannot be published, or used publicly without our written consent.