



1790 Old Trail Road, Suite D, Etters, Pennsylvania 17319  
Phone 717-932-8500 Fax 717-932-8501

September 7, 2006

Mr. Mark Krol  
Skywin-Fakro  
77 Woodland Avenue  
Chatham, Ontario, Canada N7L 2S5

**Re: Fakro Model FW Egress Performance**

Mr. Krol,

I am writing this letter at your request to document the egress function of the Fakro’s model “FW” roof window in size designation “24/46”.

Keystone evaluated egress function based on the review the attached Fakro-provided model “FW” roof window engineering drawings relative to the requirements of the International Code Council’s (ICC) “*International Residential Code*” (IRC) sections referenced as follows:

IRC Section	Requirement	FW – 24/46	Result
R310.1.1	Minimum clear net opening area of 5.7 ft <sup>2</sup>	5.95 ft <sup>2</sup>	Meets I-Code Requirement
R310.1.2	Minimum clear opening height of 24”	42-7/8”	Meets I-Code Requirement
R310.1.3	Minimum clear opening width of 20”	20”	Meets I-Code Requirement
R310.1.4	Operational from inside the room without the use of keys or tools.	Yes	Meets I-Code Requirement

Fakro, Sp. ZO.O is a licensee in Keystone Certifications’ National Fenestration Rating Council (NFRC) certification program. To learn more visit [www.keystonecerts.com](http://www.keystonecerts.com). If you have questions or comments, feel free to contact me at 717-932-8500 or [jhill@keystonecerts.com](mailto:jhill@keystonecerts.com).

Sincerely,

Digitally signed by Jon Hill  
DN: cn=Jon Hill, c=US, o=Keystone  
Certifications, Inc.,  
email=jhill@keystonecerts.com  
Reason: I am the author of this document  
Date: 2006.09.07 09:16:00 -0400

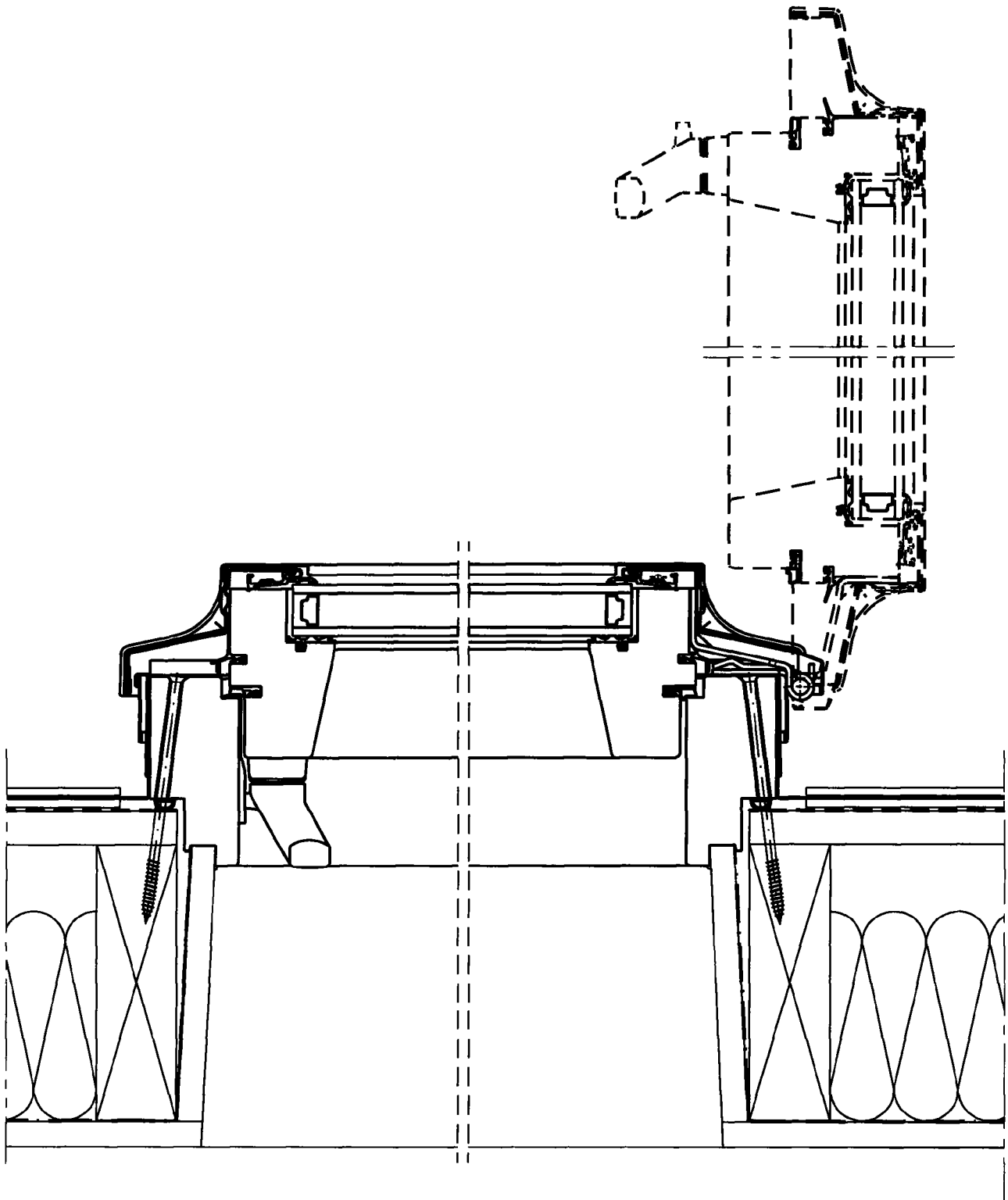
Jon Hill  
Vice President

Attachments: (4) FW engineering drawings  
FWEgressl.etter.doc

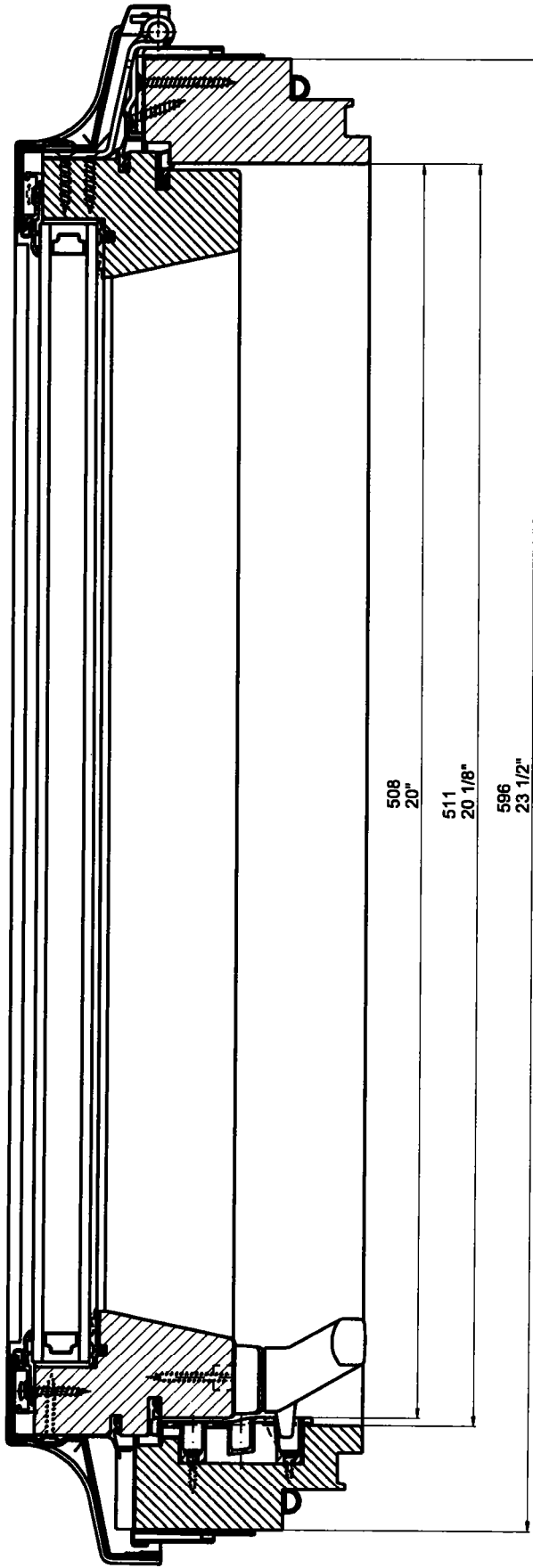


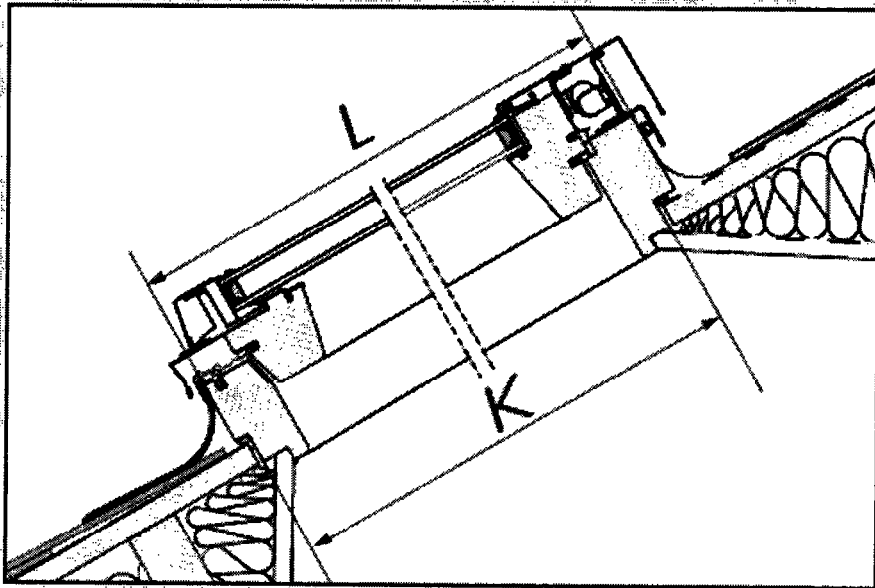
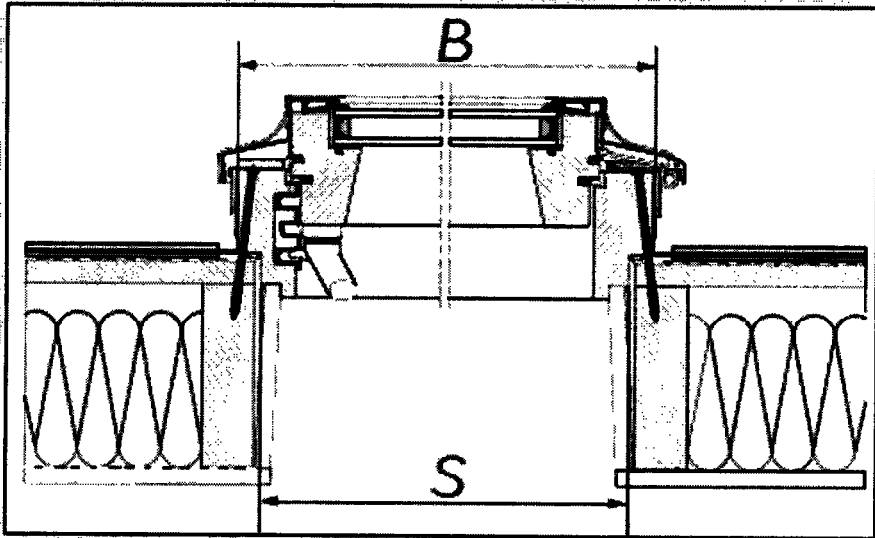
[www.keystonecerts.com](http://www.keystonecerts.com)





FWU





24/38

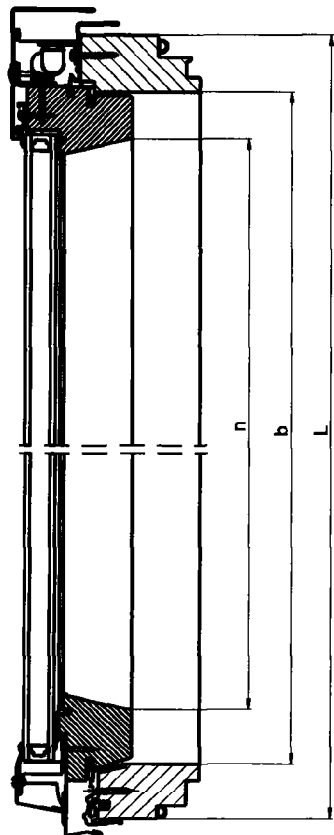
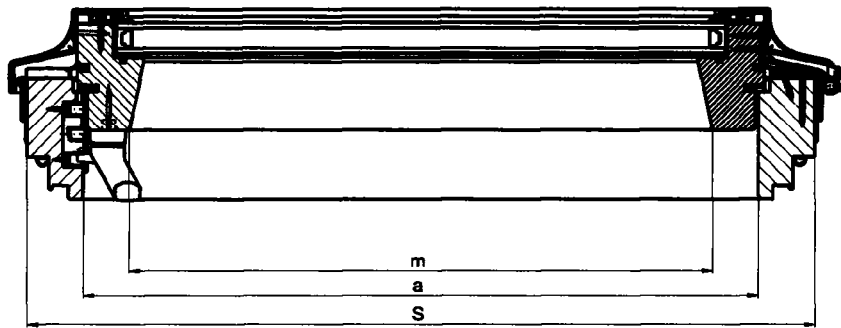


24/46

<b>B x L</b>	in.	23 <sup>1</sup> / <sub>2</sub> x 38 <sup>1</sup> / <sub>2</sub>	23 <sup>1</sup> / <sub>2</sub> x 46 <sup>1</sup> / <sub>2</sub>
	mm	596 x 974	596 x 1174
<b>S x K</b>	in.	22 <sup>1</sup> / <sub>2</sub> x 37 <sup>1</sup> / <sub>2</sub>	22 <sup>1</sup> / <sub>2</sub> x 45 <sup>1</sup> / <sub>4</sub>
	mm	564 x 948	564 x 1148

<b>B x L</b>	- outside frame
<b>S x K</b>	- nominal window size

FWU



rozmiar okna		24"/38"	24"/46"
L	[mm]	974	1174
	[in.]	38 3/8	46 1/4
S	[mm]	596	
	[in.]	23 7/16	
a	[mm]	511	
	[in.]	20 1/8	
b	[mm]	889	1089
	[in.]	35	42 7/8
m	[mm]	441,6	
	[in.]	17 3/8	
n	[mm]	812,7	1012,7
	[in.]	32	39 7/8