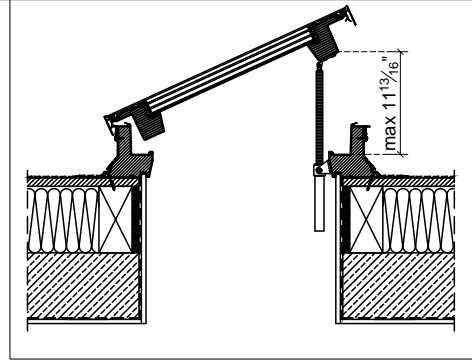
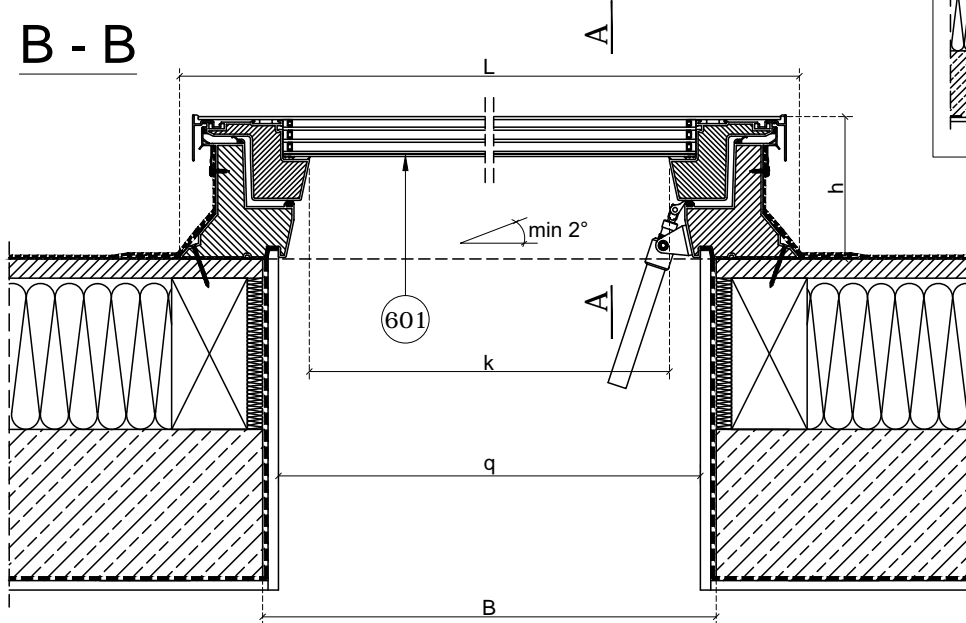
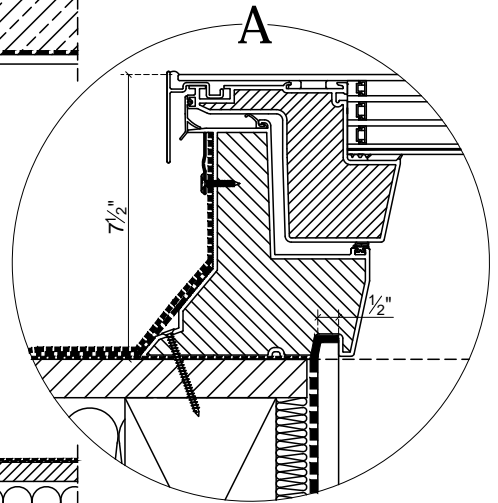
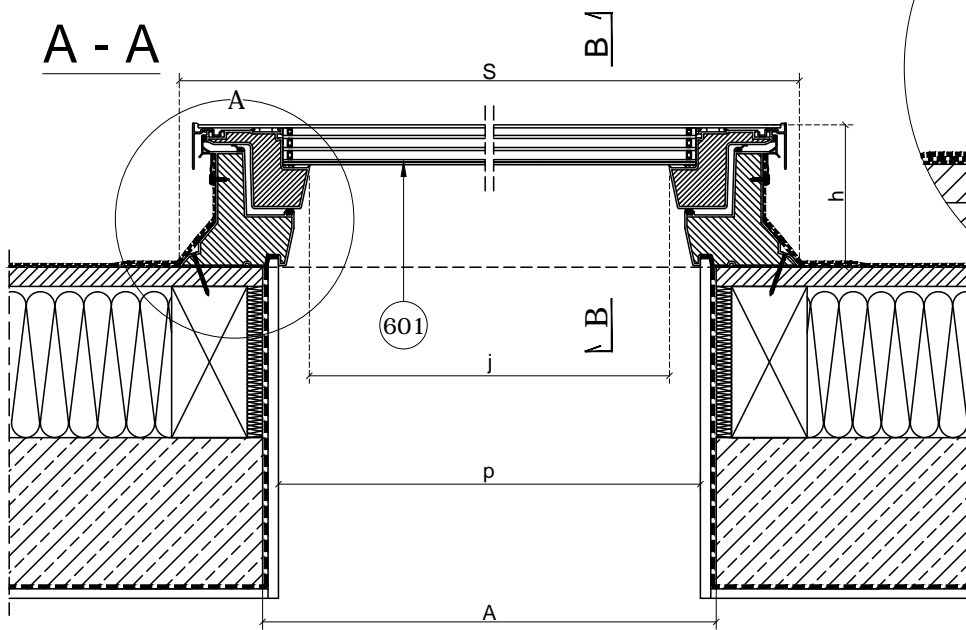


B - B



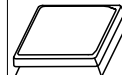
A - A



601-DMF DU8 Flat Roof Window, manually opened, Flat, glazing unit DU8

DMF DU8 - DIMENSIONS

Window size	Size symbol	Height		Rough opening				Outside frame				Distance between lining grooves				Glazing size			
		h	A	A	B	S	L	p	q	j	k								
		[inch]	[mm]	[inch]	[mm]	[inch]	[mm]	[inch]	[mm]	[inch]	[mm]	[inch]	[mm]	[inch]	[mm]	[inch]	[mm]		
22"x46"	53K	7 1/2"	190	21 7/8"	556	45 5/8"	1165	31 1/4"	792	55 3/4"	1401	20 7/8"	530	44 7/8"	1139	17 5/8"	448	41 5/8"	1057
30"x30"	54K	7 1/2"	190	29 5/8"	759	29 5/8"	759	39 3/4"	995	39 3/4"	995	28 7/8"	733	28 7/8"	733	25 5/8"	651	25 5/8"	651
30"x36"	56K	7 1/2"	190	29 5/8"	759	34 3/4"	884	39 3/4"	995	44 1/8"	1120	28 7/8"	733	33 3/4"	858	25 5/8"	651	30 1/2"	776
36"x36"	57K	7 1/2"	190	34 3/4"	884	34 3/4"	884	44 1/8"	1120	44 1/8"	1120	33 3/4"	858	33 3/4"	858	30 1/2"	776	30 1/2"	776
36"x48"	58K	7 1/2"	190	34 3/4"	884	46 5/8"	1184	44 1/8"	1120	55 5/8"	1420	33 3/4"	858	45 5/8"	1158	30 1/2"	776	42 3/8"	1076
48"x48"	59K	7 1/2"	190	46 5/8"	1184	46 5/8"	1184	55 5/8"	1420	55 5/8"	1420	45 5/8"	1158	45 5/8"	1158	42 3/8"	1076	42 3/8"	1076



Warning! The present drawing is for informational-demonstrative purposes only and as such cannot constitute a basis for performance. All dimensions presented in this drawing should be verified on site. Because of the fact that the drawing is a schematic one, FAKRO shall not assume any responsibility for the actual installation quality on the roof. This drawing is FAKRO's property and cannot be published or used publicly without our written consent.

Vertical and horizontal cross-section:
DMF DU8 Flat Roof Window, manually opened,
Flat, glazing unit DU8.

FORMAT:
A4

SCALE:
1:10/1:5

DATE:
05.2022