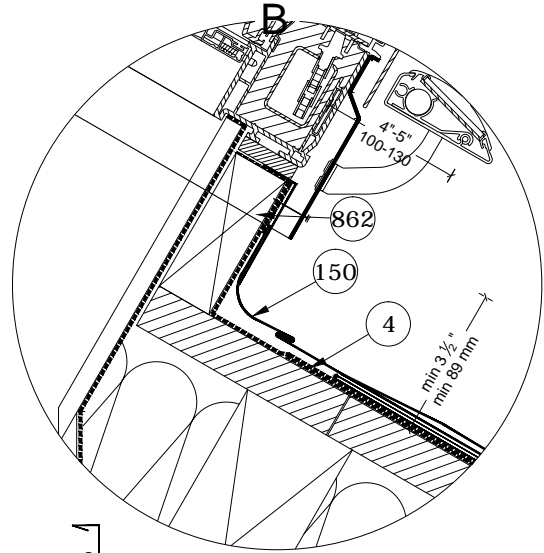
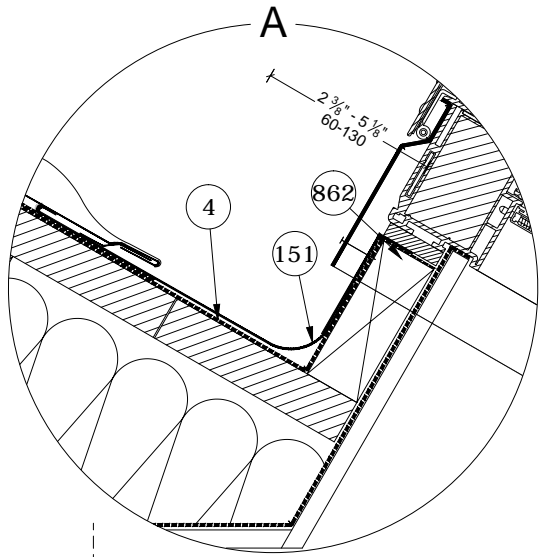
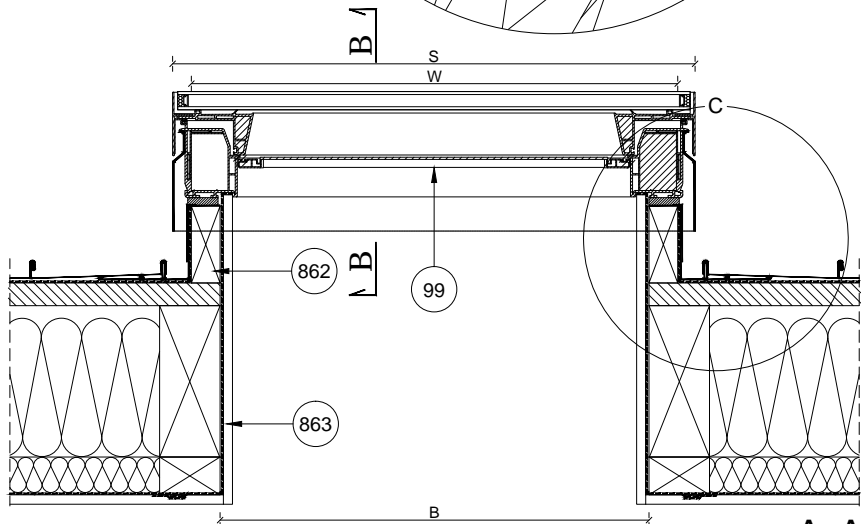


B-B



4- ice and water guard by others  
 99-FVC-S solar powered skylight FAKRO  
 150-EH-C FAKRO flashing lower element  
 151-EH-C FAKRO top part of the flashing  
 152-EH-C FAKRO flashing side element  
 862- 1 1/2\"/>



A-A

Warning! The present drawing is for informational-demonstrative purposes only and as such cannot constitute a basis for performance. All dimensions presented in this drawing should be verified on site. Because of the fact that the drawing is a schematic one, FAKRO shall not assume any responsibility for the actual installation quality on the roof. This drawing is FAKRO's property and cannot be published or used publicly without our written consent.

**SKYLIGHT FVC-S**

Window size[in]	Skylight dimension				Outside curb				Inside curb			
	S [in]	L [in]	S [mm]	L [mm]	W [in]	R [in]	W [mm]	R [mm]	B [in]	K [in]	B [mm]	K [mm]
22x22	27 1/4	27 1/4	691	691	25 1/2	25 1/2	648	648	22 1/2	22 1/2	572	572
22x30	27 1/4	35 1/4	691	894	25 1/2	33 1/2	648	851	22 1/2	30 1/2	572	775
22x34	27 1/4	39 1/8	691	995	25 1/2	37 1/2	648	952	22 1/2	34 1/2	572	876
22x46	27 1/4	51 1/4	691	1300	25 1/2	49 1/2	648	1257	22 1/2	46 1/2	572	1181
22x70	27 1/4	75 3/8	691	1909	25 1/2	73 1/2	648	1867	22 1/2	70 1/2	572	1790
30x30	35 1/4	35 1/4	894	894	33 1/2	33 1/2	851	851	30 1/2	30 1/2	775	775
30x46	35 1/4	51 1/4	894	1300	33 1/2	49 1/2	851	1257	30 1/2	46 1/2	775	1181
34x34	39 3/8	39 3/8	995	995	37 1/2	37 1/2	952	952	34 1/2	34 1/2	876	876
34x46	39 3/8	51 1/4	995	1300	37 1/2	49 1/2	952	1257	34 1/2	46 1/2	876	1181
46x46	51 1/4	51 1/4	1300	1300	49 1/2	49 1/2	1257	1257	46 1/2	46 1/2	1181	1181

	FVC-S	EH-C	STANDING SEAM	$3/12 - 21/12$ 
Vertical and horizontal cross-sections: FVC-S solar powered skylight with flashing EH-C for Standing Seam	FORMAT A4	SCALE 1:10/1:5	DATE: 07.2021	